

## TECHNICAL SPECIFICATION

### WATERPROOF LED PANEL ROUND



#### Technical data

- Power: 5W/10W/18W
- Rated voltage: 85V - 265V
- Power supply: control gear, DC device – driver
- LED type: SMD
- Light source: Epistar
- Colour temperature: 4000 – 4300K
- Protection against dust and moisture: IP65
- Housing: polycarbonate (PC)
- Reflector: polycarbonate (PC)
- Installation: built-in
- Long life: 30000 hours
- Power factor:  $\lambda > 0.8$
- Starting time:  $< 0.5s$
- Beam angle: 120°
- Colour rendering index:  $Ra \geq 80$
- Colour body: white

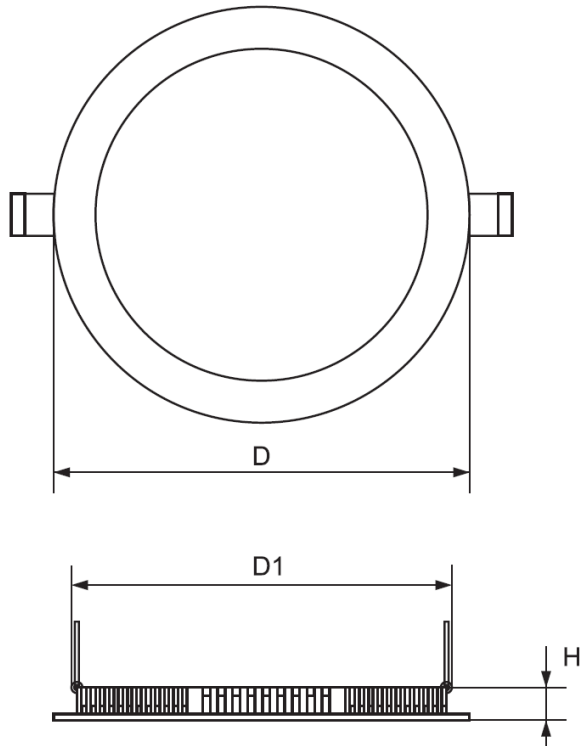
## **Areas of application**

- Residential and commercial buildings
- Administrative buildings
- Banks
- Hospitals
- Schools

## **Product benefits**

- Completely replace traditional fluorescent lighting
- Safety, low voltage operation
- Installation options: easy installation due to handy clips, recessed mounted luminaire
- Emit a very pleasant and even light with very low glare factor due to the diffusion lens
- Low power consumption
- Repeated switch-on/off does not affect the lifespan of the LED panel
- Instant light with maximum luminous flux
- Environmentally friendly - do not emit mercury and lead (RoHS Directive)
- No ultraviolet and infrared rays
- Resistant to shock and vibration

## Variants and dimensions



### Legend:

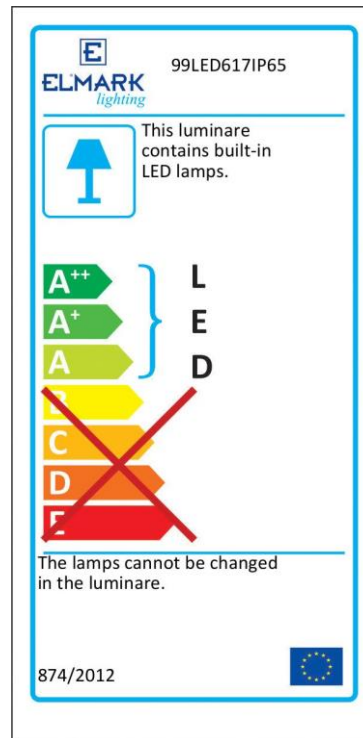
D - Outer diameter

H - Height of the panel

D1 - Diameter of the cut

Watt	Whole fixture lumens	Colour temp.	Colour body	Size (mm)			Catalogue number
	(lm)	(K)		D	D1	H	
5W	400	4000-4300	white	90	75	27	99LED609IP65
10W	800	4000-4300	white	150	130	27	99LED611IP65
18W	1440	4000-4300	white	225	205	27	99LED617IP65

## Energy efficiency



## Barcodes

Barcode	Catalogue number
3800131192233	<b>99LED609IP65</b>
3800131192240	<b>99LED611IP65</b>
3800131192257	<b>99LED617IP65</b>

## Standards

EN 55015

EN 61000-3-2; EN 61000-3-3; EN 61000-4-2; EN 61000-4-4; EN 61000-4-5; EN 61000-4-8; EN 61000-4-11

EN 61547

EN 62560

